

Ewon Accessories Datasheet

PRODUCT TYPE: FAC91401_0000 - 4G FOLDABLE ANTENNA FOR COSY+
JAPAN AND COSY+ APAC

Datasheet - FAC91401_0000
Publication date 13/02/2024



Important User Information

Disclaimer

The information in this document is for informational purposes only. Please inform HMS Networks of any inaccuracies or omissions found in this document. HMS Networks disclaims any responsibility or liability for any errors that may appear in this document.

HMS Networks reserves the right to modify its products in line with its policy of continuous product development. The information in this document shall therefore not be construed as a commitment on the part of HMS Networks and is subject to change without notice. HMS Networks makes no commitment to update or keep current the information in this document.

The data, examples and illustrations found in this document are included for illustrative purposes and are only intended to help improve understanding of the functionality and handling of the product. In view of the wide range of possible applications of the product, and because of the many variables and requirements associated with any particular implementation, HMS Networks cannot assume responsibility or liability for actual use based on the data, examples or illustrations included in this document nor for any damages incurred during installation of the product. Those responsible for the use of the product must acquire sufficient knowledge in order to ensure that the product is used correctly in their specific application and that the application meets all performance and safety requirements including any applicable laws, regulations, codes and standards. Further, HMS Networks will under no circumstances assume liability or responsibility for any problems that may arise as a result from the use of undocumented features or functional side effects found outside the documented scope of the product. The effects caused by any direct or indirect use of such aspects of the product are undefined and may include e.g. compatibility issues and stability issues.

Copyright © 2024 HMS Networks

Table of Contents

1. General Information	1
2. Technical Data and Drawings	2

1. General Information

Product Name	Product Description	Order Code	Compatible Products
Foldable Antenna for Cosy+ 4G Japan and Cosy+ 4G APAC	This Quectel external antenna is compatible with 4G/3G/2G/LPWA bands. Featuring high efficiency and gain, it is an ideal omni-directional antenna solution to ensure high-speed data transmission.	FAC91401_0000	<ul style="list-style-type: none">• EC7133M - Cosy+ 4G APAC• EC7133N - Cosy+ 4G Japan• FLB3209_00 - Flexy Extension Card 4G APAC

2. Technical Data and Drawings

Table 1. Technical data

Frequency Range	600–960 MHz, 1710–2690 MHz, 3300-5000 MHz
Input Impedence	50 Ω
VSWR	≤ 5.0
Gain	≤ 3 dBi
Polarization Type	RP SMA bulkhead Jack
Antenna Size	196.2 mm × 16 mm × 13 mm
Casing	ABS
Connector Type	SMA Male (Center Pin)
Working Temperature	-40 °C to +85 °C
Weight	Typ. 19.3 g
Radome Color	White

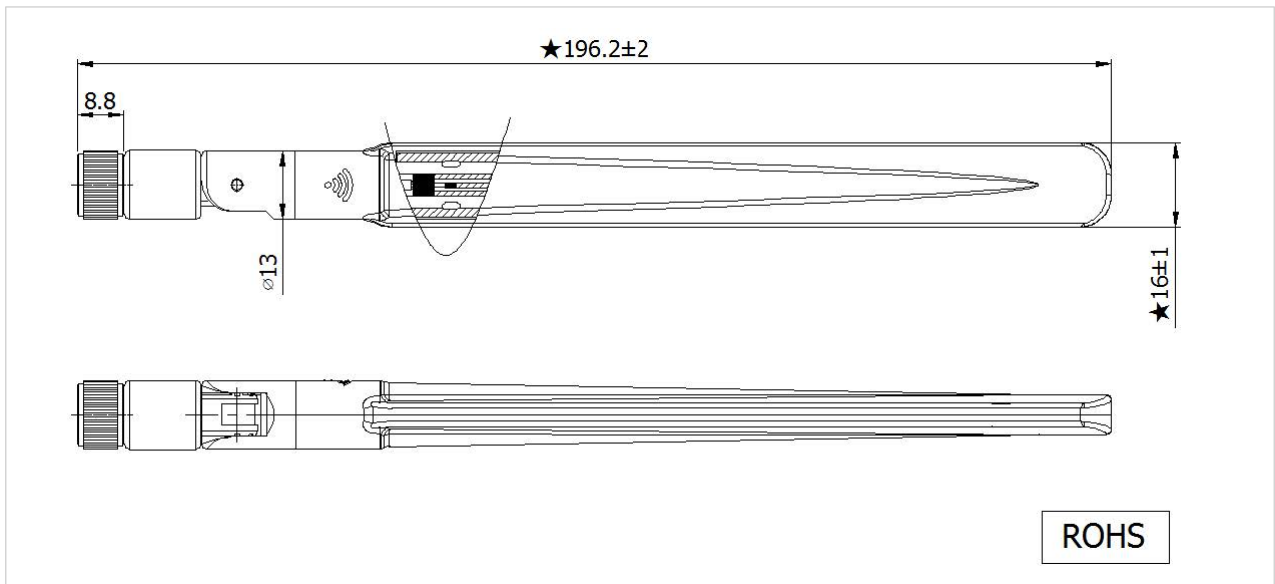


Figure 1. Drawing

More information on the manufacturer website: <https://www.quectel.com/iot-antennas>.